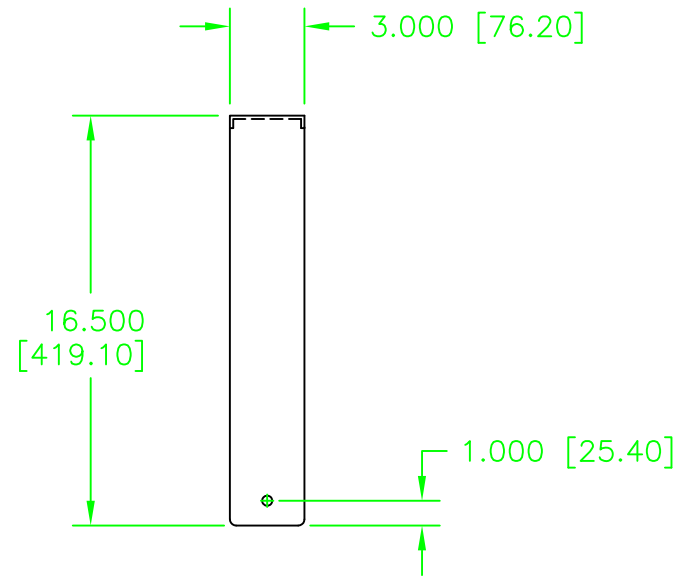
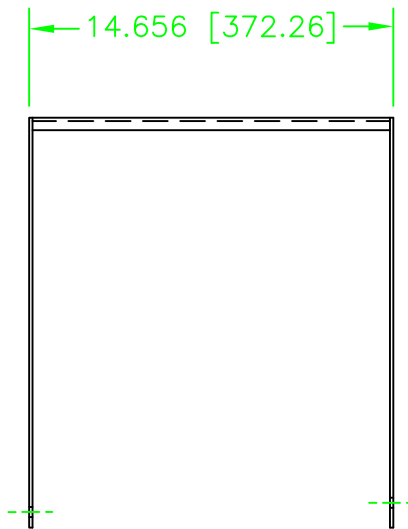


.562 [14.28] DIA FOR CLAMP  
(ORDER SEPARATE, P/N: 26-0012)

MOUNTING HOLES FOR STAND FITTING  
(ORDER SEPARATE, P/N: 140-05)

# AE-4 YOKE

FOR USE WITH STAND FITTING  
(MOUNTING HARDWARE NOT SHOWN)



GROSS WEIGHT: 6 LBS.

NOTE: DIMENSIONS ARE IN INCHES & [MILLIMETERS]

INFORMATION CONTAINED IN THIS DOCUMENT IS THE SOLE PROPERTY OF APOGEE SOUND INC. REPRODUCTION OF ALL OR ANY PART OF THIS DOCUMENT WITHOUT WRITTEN PERMISSION FROM APOGEE SOUND INC. IS PROHIBITED.

NOT TO SCALE			
DRAWN	JOHN 4/25/94		
REVISED			
PRODUCT NUMBER		SIZE	AE-4 YOKE FOR USE WITH STAND FITTING
140-23		A	
SCALE	REVISION	DRAWING NO.	
1/8	A	Z0403	