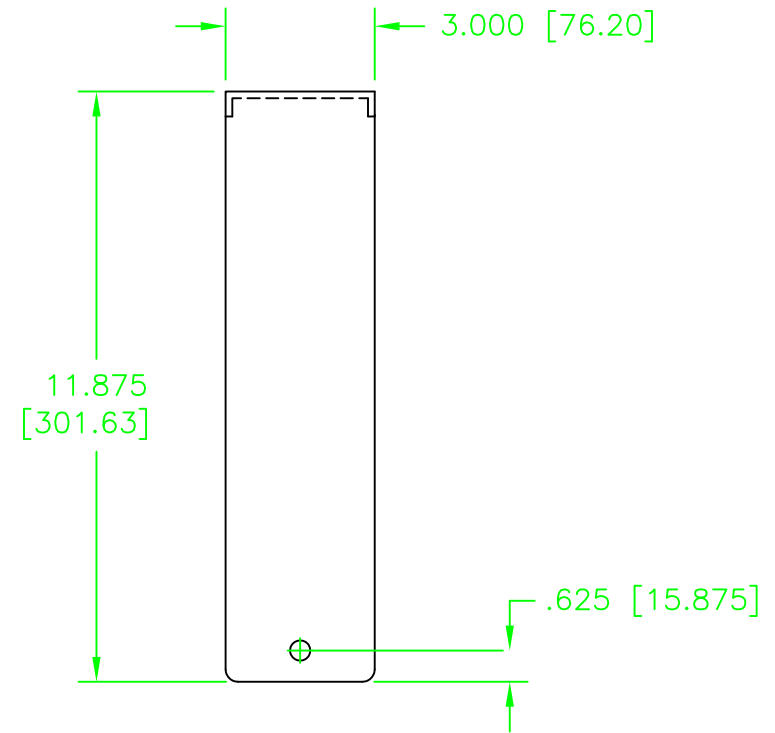
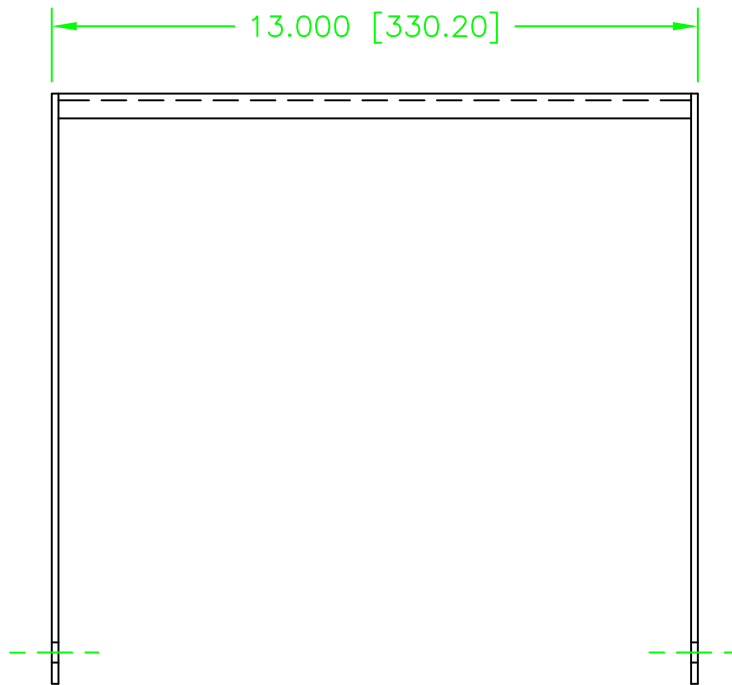


.562 [14.28] DIA FOR CLAMP  
(ORDER SEPARATE, P/N: 26-0012)

MOUNTING HOLES FOR STAND FITTING  
(ORDER SEPARATE, P/N: 140-05)

# AE-3Ms2 YOKE

FOR USE WITH STAND FITTING  
(MOUNTING HARDWARE NOT SHOWN)



GROSS WEIGHT: 3-1/2 LBS.

NOTE: DIMENSIONS ARE IN INCHES & [MILLIMETERS]

|              |              |   |       |
|--------------|--------------|---|-------|
| NOT TO SCALE |              |   |       |
| DRAWN        | JOHN 4/22/94 |   |       |
| CHECKED      | 4/25/94      | PRODUCT NUMBER                          |       |
|              |              | SIZE                                    | A     |
|              |              | AE-3Ms2 YOKE FOR USE WITH STAND FITTING |       |
| 140-35       |              | SCALE                                   | 1/4   |
|              |              | REVISION                                | A     |
|              |              | DRAWING NO.                             | Z0306 |