



AE-5

ARRAYABLE LOUDSPEAKER SYSTEM

DESCRIPTION:

The AE-5 two-way, bi-amped system is the flagship of the Apogee line. This fully arrayable system functions brilliantly when used alone or as a building block for a large sophisticated system, thus making it one of the most versatile loudspeakers ever developed.

DRIVER COMPLEMENT:

LOW FREQUENCY: One Apogee 12" (305mm) neodymium magnet cone-type driver is treated with a waterproofing compound, providing resistance to moisture, and enabling long-term stability of cone resonance and cone mass parameters

HIGH FREQUENCY: One Apogee 1" (25mm) throat composite diaphragm compression driver is treated with Ferrofluid® for greater power handling capability, lower distortion, and control of short-term impedance rise

INPUT CONNECTORS:

Neutrik™ NL4MP Speakon™ connectors standard; Cannon EP series and gas-tight barrier strips optional

COMPATIBLE PROCESSORS:

DLC24 Digital Controller

HANDLES:

Four handles designed as an integral part of enclosure (no moving parts)

GRILLE:

Powder-coated, diamond-punched steel with acoustic foam covering

TRIM:

Optional protective steel trim pieces on top and bottom edges; powder-coated for durability

RIGGING HARDWARE:

Four 12-gauge steel nutplates, mounted two on top and two on bottom, recessed, nominally flush; accepts 3/8"-16 thread (10mm nutplate or Aeroquip Pan fittings optional); nutplates are backed with 12-gauge steel internal brackets

FINISH:

Textured high-strength black epoxy paint; other colors optional

ENCLOSURE TYPE:

20° trapezoidal, optimally-vented bass

CABINET CONSTRUCTION:

Multi-ply birch with stainless steel fasteners

ENGINEERING DATA:

FORMAT:

Bi-amped/Two-way/Electronically-coupled

DISPERSION:

H: 90° x V: 45°

FREQUENCY RESPONSE (1M ON AXIS):

53 Hz to 17 kHz ± 3 dB

MAX. SPL (@1M):

126 dB cont./132 dB peak

PTML (PEAK TRANSIENT MECHANICAL LIMIT):

144 dB

SENSITIVITY (1W @ 1M):

LF: 99 dB/100 Hz to 1 kHz

HF: 106 dB/1 kHz to 20kHz

NOMINAL IMPEDANCE:

8 ohms, each driver

MAX. POWER HANDLING:

LF: 300W cont./1200W peak

HF: 150W cont./600W peak

DIMENSIONS:

front: 14" (356mm) W x 23" (584mm) H

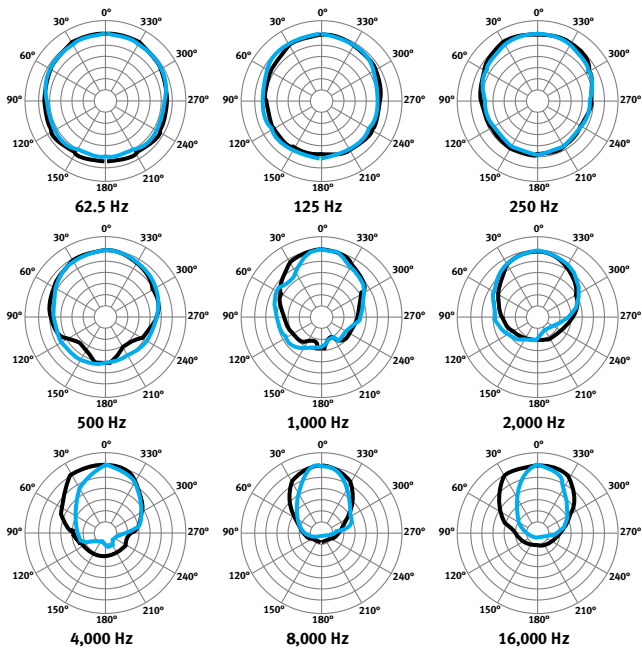
rear: 9.3" (236mm) W x 23" (584mm) H

depth: 16.5" (419mm)

WEIGHT:

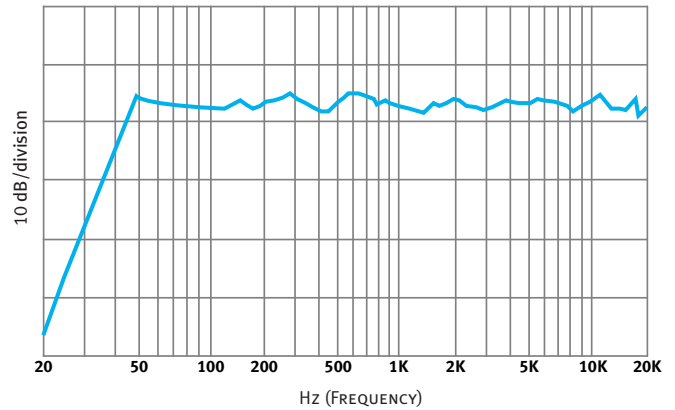
76 lb. (34.5 kg)

POLAR MEASUREMENTS AE-5 (6 dB/division, normalized)



HORIZONTAL ——— All polar measurements obtained in a free-field environment at 10° increments.
VERTICAL ———

FREQUENCY RESPONSE AE-5 (with controller)



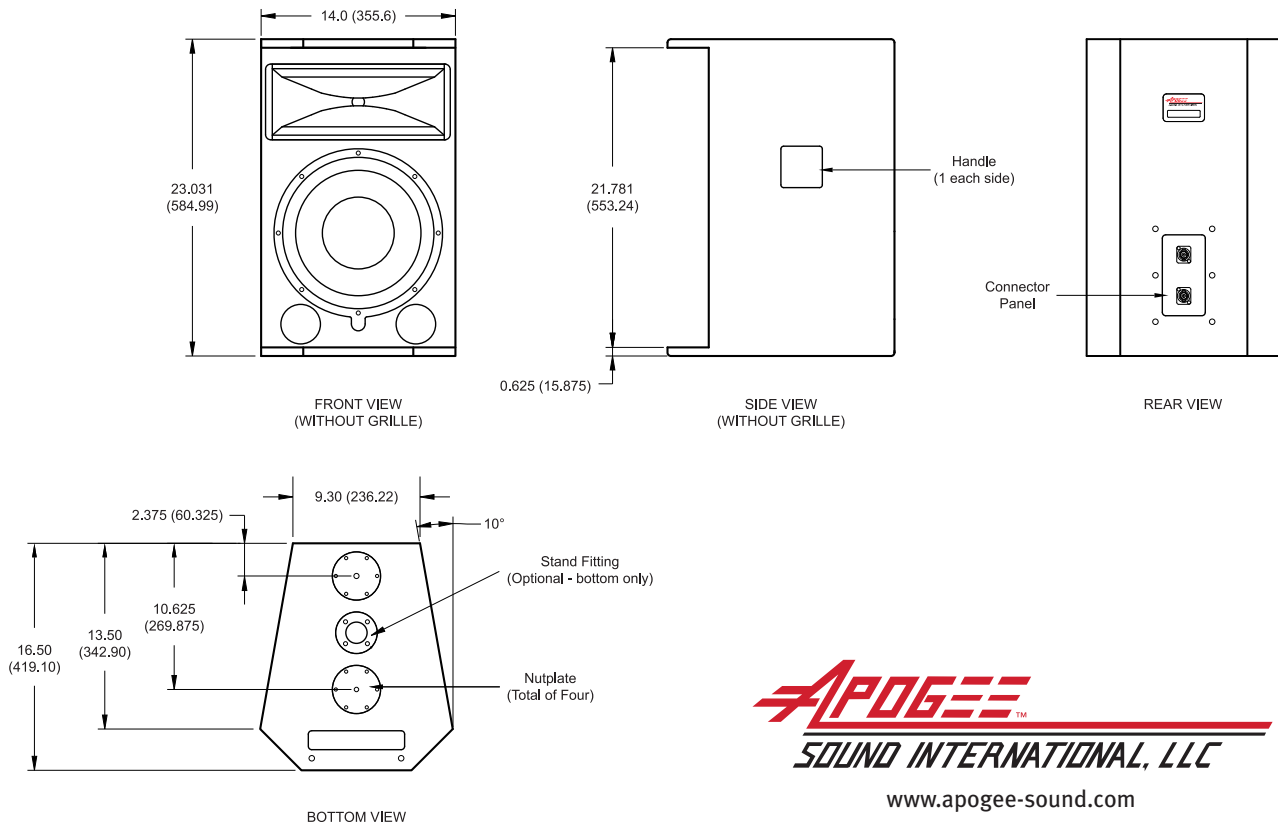
Measured in a free-field anechoic environment using a swept one-third octave input.

PROCESSOR NOTES:

The DLC24 Digital Loudspeaker Controller is a digital engine with an analog surface. It combines the most advanced technology available with intuitive interfaces to provide the key elements that ensure optimal loudspeaker system performance and management in a variety of live sound and fixed installation applications.

The controller provides factory-set equalization curves to smooth the response, protective limiting, and active crossovers (for bi-amplified models and subwoofers).

DIMENSIONAL DRAWINGS AE-5 (dimensions in inches and millimeters)



www.apogee-sound.com